



Paper Partition System (PPS)

Voluntary Architects' Network (VAN)
Shigeru Ban Architects
Keio University, Shigeru Ban Lab



Iwate Prefectural Otsuchi High School, BEFORE installing PPS



Iwate Prefectural Otsuchi High School, AFTER installing PPS

Paper Partition System

When large-scale disaster occurs, many disaster victims are forced to live in evacuation facilities. In Japan, there are situations where people have no other choice but to sleep on the floor side by side and privacy has not been well ensured. To overcome this problem, simple paper partition has been developed by using paper tubes as structural frames and cloths to be hanged on to the frames. The cloths can be opened and closed like a curtain in order for people to check their health conditions. It also enables ventilation to keep the living environment of evacuation facilities hygienic.



materials for 2x2 units

Materials

Columns : Paper tube

(innr diameter 90mm, thickness 3mm, outer diameter 96mm, length 2000mm)

Beams : Paper tube

(innr diameter 50mm, thickness 3mm, outer diameter 56mm, length 2000mm)

Joints : Paper tube

(innr diameter 45mm, thickness 2.35mm, outer diameter 49.7mm, length 400mm)

Curtains : Cloths (length 2.4m)

Others : Safety pins (length about 44mm)

Duct tape (width 50mm)

How to Build



1
Insert beam into column



2
Insert joint and connect



3
Tape to hold
(No need to fix it)

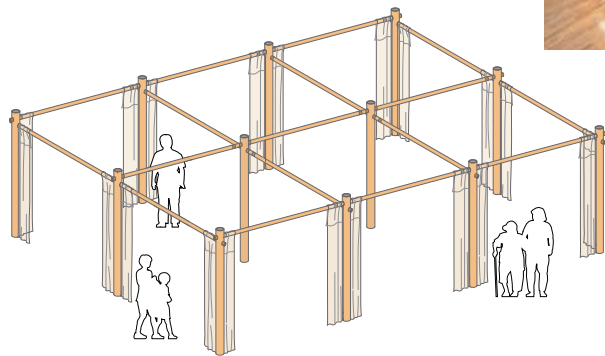
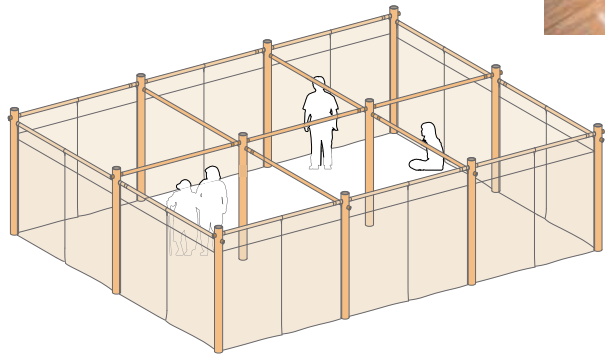


4
Hang cloths

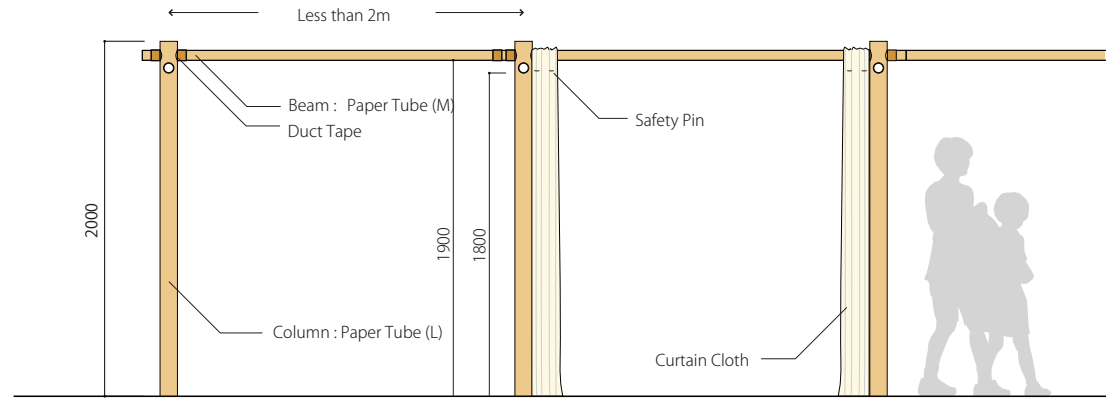


5
Pin the cloths

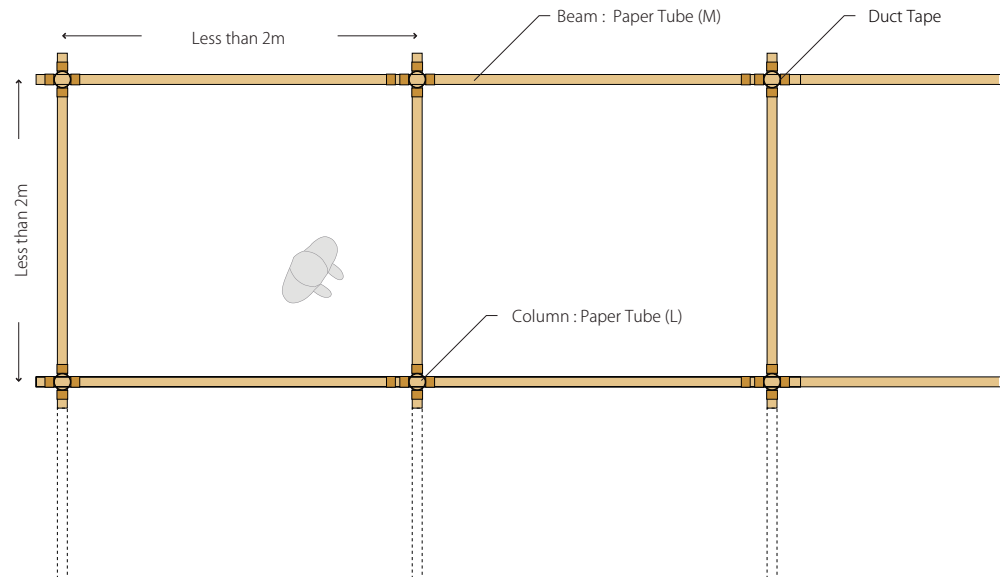
Installation Image



Installation Image



Elevation
S=1/30



Plan
S=1/30



April 20, 2011 Iwate Prefectural Ohtsuchi High School



April 20, 2011 Iwate Prefectural Ohtsuchi High School



April 20, 2011 Iwate Prefectural Ohtsuchi High School



April 20, 2011 Iwate Prefectural Ohtsuchi High School